



# C6160

Medium to large workgroup  
color laser printer



Affordable  
in-house  
color production



Productivity  
boosting speed,  
functionality  
and reliability



Workflow  
smoothing  
solutions  
and flexibility



Sensitive data  
stays secure



Cut costs  
while being  
environmentally  
responsible

This is an FCC Class A device. Not intended for use in residential or domestic environments.



# Get more power and save money



Save time with software and solutions. Stay productive with print speeds that are fast enough to keep work moving. Stay looking sharp with gorgeous color.

- ▶ Brilliant color in an affordable, space-saving device
- ▶ Up to 60 pages per minute† print speeds
- ▶ Spend less time on supplies with high-yield toner capacity and shake-free science
- ▶ Expandable input trays

## Speed for productivity with the functionality and reliability you need

**Productivity stays high** when even large color print jobs complete quickly. With copier-like print speeds of up to 60 ppm, the C6160 keeps you moving.

**Minimize wait time** when your job is complete before you even leave your chair with the C6160's ability to print a single color page in as little as 7 seconds.

**Power through** complex print jobs with large, high-resolution photos and graphics. The powerful print controller has the processing power you need built-in.

**Work from wherever, print where you want** with mobile printing from iOS, Android and Windows Mobile devices and optional wireless and NFC direct mobile printing from smartphones and tablets. The C6160 is also Google Cloud Print, Apple Airprint 1.5 and Mopria ready.

**Better access for all** with drawers and paper guides that move effortlessly, and standard headphone jack and talk-back features to help users with limited vision engage with the device‡.

† Print speeds measured in accordance with ISO/IEC 24735 respectively (ESAT). For more information see: [www.lexmark.com/ISOspeeds](http://www.lexmark.com/ISOspeeds).  
‡ Meets advanced Section 508 and European Standard EN 301 549 guidelines for accessibility.



## Look sharp for less with gorgeous color

**Color so accurate and affordable, you can print color in-house.**

You can match your brand colors and have accurate color output without having to pay a premium. Lexmark Color Replacement combines spot color replacement and RGB replacement for precision matching of critical colors. PANTONE® calibration and embedded color sample pages to help you nail perfect color at the design stage. Lexmark's 4800 color quality is ultra-sharp even at full speed.

**More media choices makes your color laser printer multi-talented.** From some of the thickest media available in cut sheet to print signage or booklet covers—to tissue-thin paper and all the vinyl, labels, cardstock, envelopes, and banners in between, the C6160 makes you shine.

**Less hassle with a high input capacity** of up to 4,500 sheets maximum input capacity. Paper is less likely to run out, so you don't have to wait or intervene to finish printing.

**Improve your productivity with the C6160 that keeps on running**

- ▶ Toner cartridges yield up to 20,000 pages
- ▶ Photoconductor lasts up to 300,000 pages
- ▶ No shake Unison™ Toner cartridges mean perfect prints to the last page without interruption



## Workflow smoothing solutions and flexibility

Bridge the gap between your paper documents and software systems with the fully-configurable device-based apps. The built in productivity solutions future-proof your investment.

### Standard device-based apps shipping with this series include<sup>§</sup>:



#### Google Drive

The easy way to print shared Google docs on demand.



#### Customer Support

Send email alerts to help desk or service providers to request support. Pertinent data about the device can be included in the automated email.



#### QR Code Generator

Generate a Quick Response (QR) Code and display it on the eTask screen, making it easy to find the printer on your tablet or smartphone.



#### Forms and Favorites

Keep frequently used forms and documents easy to access and save money by eliminating preprinted forms



### See the possibilities with our intuitive interface

Minimize the need for training with the familiar modern tablet-like capabilities of our eTask interface on a bright 4.3-inch color touch screen. Use swipe and touch gestures to navigate the intuitive interface to access convenient features, including:

- ▶ Preview your entire print job
- ▶ Print Microsoft Office and other file types from USB or mobile devices
- ▶ Customize shortcuts and bookmarks
- ▶ Realize your return on investment fast with true integration
- ▶ Access corporate address book for quick document routing
- ▶ Enable user tracking, accounting and permissions for cost and print management

<sup>§</sup> Additional device-based apps may ship with the device and additional apps can be added.

# C6160



**1. Intuitive color touch screen with new eTask interface** A bright 4.3-inch screen uses familiar swipe and touch gestures, minimizing training time to get users up to speed.



**2. Direct printing** Microsoft Office files and other document and image types print right from flash drives. You can even preview jobs on the eTask screen prior to printing.



**3. Unison™ Toner system with long-life supplies** Unison™ Toner delivers consistently outstanding image quality plus long-life system reliability and amazing sustainability in a high-yield, no-shake design.



**4. In-line stapler** This unique finishing option gives your printer even more functionality.



**5. Software solutions** Combine device-based app capabilities with additionally purchased Lexmark fleet management tools and your existing software and technical infrastructure to future-proof your investment in Lexmark color laser technology.



**6. Expandable input and output** Print on multiple paper types and boost input capacity to 4,500 sheets.



## Sensitive data stays secure

**Authorize and authenticate** who and what gets access to your network along with remote monitoring and management.

**Protect your device on all fronts** with port and connection filtering to limit active access and encryption and wiping of the optional hard disk to secure sensitive print job data. Digital signatures on firmware updates keep hackers at bay.

**Authentication to fit your protocols** from badge readers, PIN or passwords. Once users are authenticated, the connection to your network is fully secure.

**Put a stop to data leaks** on the optional hard disk with 256-bit AES encryption and encryption keys stored in the printer memory, not the hard disk. Data is almost impossible to read if the hard drive is removed.

## Cut costs while being environmentally responsible

**Save power** with multiple power saving modes. Sleep mode uses less than 3.5 watts between jobs. Hibernate mode uses less than half a watt during scheduled on/off periods.

**Save paper and toner** with standard double-sided printing, printing images and graphics a lighter shade with the ColorSaver feature that still leaves text dark and readable and the Eco Settings solution are just some of the eco-friendly options.

**Smarter toner saves energy and more.** Lexmark Unison™ Toner fuses at a lower temperature that requires less energy. Through the free and easy Lexmark Cartridge Collection Program (LCCP) ship empty cartridges back to recycling centers for sustainable recycling.



### Lexmark Sustainability

For Lexmark, commitment to the environment isn't a marketing tagline, it's a core value backed up by real action and results. We are forward thinking, innovative, and driven to sustain a healthy planet for generations to come. For our customers and partners we bring this passion, our leading technology and a deep understanding of industry-specific business processes to continuously improve their efficiency as well as our own.

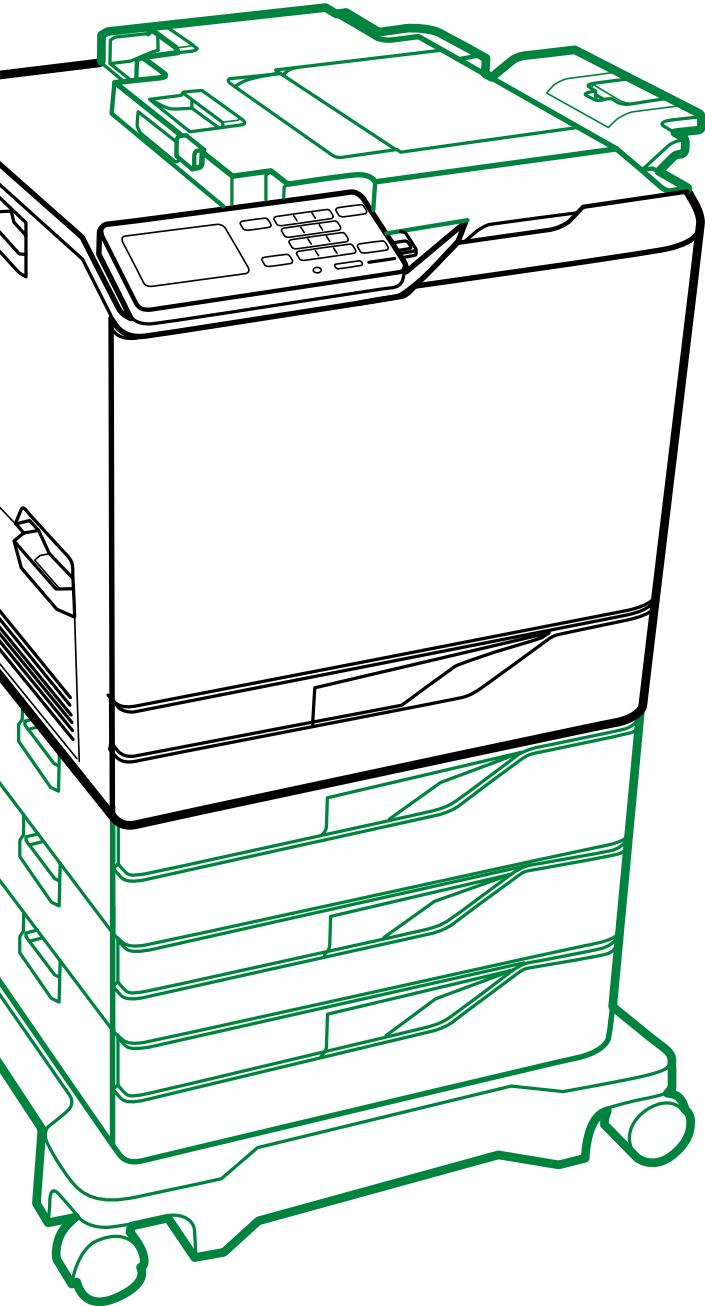
Lexmark products meet globally recognized environmental standards<sup>¶</sup>.

- ▶ Energy Star™
- ▶ Blue Angel
- ▶ EPEAT™

For more information on Lexmark's sustainability initiatives, visit [csr.lexmark.com](http://csr.lexmark.com)

<sup>¶</sup> Energy Star V2.0 for Imaging Equipment (EU RoHS and Section 4.3.1.1 of IEEE 1680.2-2)

# Ordering information



**P/N**  
21K0300

**Hardware**  
Lexmark C6160

**P/N**  
24B5998  
24B5995  
24B5996  
24B5997  
72K0P00  
72K0Q00  
72K0DK0  
72K0DV0  
72K0DC0  
72K0DM0  
72K0DY0  
25A0013  
72K0W00  
  
72K0FK0  
72K0FV0

**Laser Toner/Print Cartridge**  
C6160 Black Toner Cartridge  
C6160 Cyan Toner Cartridge  
C6160 Magenta Toner Cartridge  
C6160 Yellow Toner Cartridge  
Photoconductor 1-Pack  
Photoconductor 3-Pack  
Black Return Program Developer Unit  
Color (CMY) Return Program Developer Kit  
Cyan Return Program Developer Unit  
Magenta Return Program Developer Unit  
Yellow Return Program Developer Unit  
Staple Cartridges (3-pack)  
Waste Toner Bottle  
Black Return Program Developer and Photoconductor Unit Pack  
Color (CMY) Return Program Developer Kit and Photoconductors Pack

**P/N**  
21K0567  
21K0237  
42K2000

**Paper Handling**  
550-Sheet Tray  
2200-Sheet Tray  
Inline Staple Finisher

**P/N**  
21K2501

**Furniture**  
Caster Base

**P/N**  
57X9022  
27X0400  
57X9801  
57X9814  
57X9815  
57X9812  
57X9810

**Memory Options**  
2GB x64 DDR3 RAM  
Hard Disk (320+GB)  
256MB Flash Memory Card  
Korean Font Card  
Japanese Font Card  
S. Chinese Font Card  
T. Chinese Font Card

**P/N**  
21K0127  
21K0128  
21K0129  
57X0300  
57X0301

**Application Solutions**  
Forms and Bar Code Card  
Card for IPDS  
Card for PRESCRIBE  
Front Contact Authentication Module  
Front Contactless Authentication Module

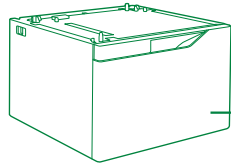
**P/N**  
1021294  
27X0309  
SPD0001  
57X7025

**Connectivity**  
2-meter USB cable (RoHS)  
MarkNet N8360 802.11 Wireless w/NFC  
Surge Protective Device, 110-120V  
Voice Guidance Kit

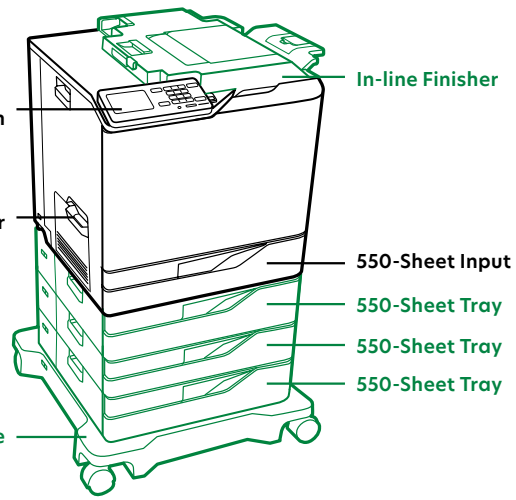
**P/N**  
41X0246  
41X0248  
41X0245  
41X0249  
41X0154  
41X0993  
41X0xxx  
41X0xxx  
41X0xxx

**User Replaceable Parts**  
Fuser 110-120V  
Fuser 100V  
Transfer Belt  
Separation Roller  
Transfer Roller  
Media Pick Roller  
Fuser Maintenance Letter  
Fuser Maintenance A4  
Roller Maintenance Kit

# Lexmark C6160



2200-Sheet High Capacity Tray



Standard  
 Optional

Product specifications	Lexmark C6160
<b>Printing</b>	
Display	Lexmark e-Task 4.3-inch (10.9 cm) color touch screen
Print Speed: Up to <sup>6</sup>	Black: 60 ppm / Color: 60 ppm
Time to First Page: As fast as	Black: 7 seconds / Color: 7 seconds
Print Resolution	Black: 1200 x 1200 dpi, 4800 Color Quality (2400 x 600 dpi) / Color: 1200 x 1200 dpi, 4800 Color Quality (2400 x 600 dpi)
Memory	Standard: 1024 MB / Maximum: 3072 MB
Hard Disk	Option available
Recommended Monthly Page Volume <sup>2</sup>	2500 - 25000 pages
Maximum Monthly Duty Cycle: Up to <sup>3</sup>	200000 pages per month
<b>Supplies<sup>7</sup></b>	
Laser Cartridge Yields (up to) <sup>1</sup>	20,000-page Black Extra High Yield Cartridge, 20,000-page Color (CMY) Extra High Yield Cartridges
Photoconductor Estimated Yield: Up to <sup>5</sup>	175000 pages, based on 3 average letter/A4-size pages per print job and ~ 5% coverage
Developer Unit(s) Estimated Yield: Up to <sup>5</sup>	300000 pages, based on 3 average letter/A4-size pages per print job and ~ 5% coverage
Cartridge(s) Shipping with Product <sup>8</sup>	8,000-page Black and Colour (CMYK) Return Program Toner Cartridges
<b>Paper Handling</b>	
Included Paper Handling	550-Sheet Input, 100-Sheet Multipurpose Feeder, Integrated Duplex, 500-Sheet Output Bin
Optional Paper Handling	550-Sheet Tray, Inline Stapler, 2200-Sheet Tray
Paper Input Capacity: Up to	Standard: 650 pages 20 lb or 75 gsm bond / Maximum: 4500 pages 20 lb or 75 gsm bond
Paper Output Capacity: Up to	Standard: 500 pages 20 lb or 75 gsm bond / Maximum: 500 pages 20 lb or 75 gsm bond
Media Types Supported	Card Stock, Dual Web Labels, Envelopes, Labels, Plain Paper, Polyester Labels, Vinyl Labels, Banner Paper, Refer to the Paper & Specialty Media Guide
Media Sizes Supported	10 Envelope, 7 3/4 Envelope, 9 Envelope, A4, A5, B5 Envelope, C4 Envelope, C5 Envelope, DL Envelope, Index Card, Executive, Folio, JIS-B5, Legal, Letter, 4 x 6", Statement, Universal, Oficio, A6
<b>General Information<sup>4</sup></b>	
Standard Ports	One Internal Card Slot, USB 2.0 Specification Hi-Speed Certified (Type B), Gigabit Ethernet (10/100/1000), Front USB 2.0 Specification Hi-Speed Certified port (Type A), Two Rear USB 2.0 Specification Hi-Speed Certified ports (Type A)
Optional Network Ports	Internal MarkNet N8360 802.11b/g/n Wireless, NFC
Noise Level: Operating	Print: 56 dBA
Specified Operating Environment	Humidity: 15 to 80% Relative Humidity, Temperature: 10 to 32°C (50 to 90°F), Altitude: 0 - 2896 Meters (9,500 Feet)
Size (in. - H x W x D) / Weight (lb.)	21.12 x 22 x 20.6 in. / 137 lb.

<sup>1</sup>Average yield at approximately 5% print coverage per colour. <sup>2</sup>Recommended Monthly Page Volume" is a range of pages that helps customers evaluate Lexmark's product offerings based on the average number of pages customers plan to print on the device each month. Lexmark recommends that the number of pages per month be within the stated range for optimum device performance, based on factors including: supplies replacement intervals, paper loading intervals, speed, and typical customer usage. <sup>3</sup>Maximum Monthly Duty Cycle" is defined as the maximum number of pages a device could deliver in a month using a multishift operation. This metric provides a comparison of robustness in relation to other Lexmark printers and MFPS. <sup>4</sup>Printers are sold subject to certain license/agreement conditions. See [www.lexmark.com/printerlicense](http://www.lexmark.com/printerlicense) for details. <sup>5</sup>Actual Yield may vary based on other factors such as device speed, paper size and feed orientation, toner coverage, tray source, percentage of black-only printing and average print job complexity. <sup>6</sup>Print and copy speeds measured in accordance with ISO/IEC 24734 and ISO/IEC 24735 respectively (ESAT). For more information see: [www.lexmark.com/ISOspeeds](http://www.lexmark.com/ISOspeeds). <sup>7</sup>Product functions only with replacement cartridges designed for use in a specific geographical region. See [www.lexmark.com/regions](http://www.lexmark.com/regions) for more details. <sup>8</sup> Average continuous black or continuous composite CMY declared cartridge yield up to this number of standard pages in accordance with ISO/IEC 19798.

**This is a Class A device according to the FCC Rules and international electromagnetic emissions standards. This device is not intended for use in residential or domestic environments due to potential interference to radio communications.**